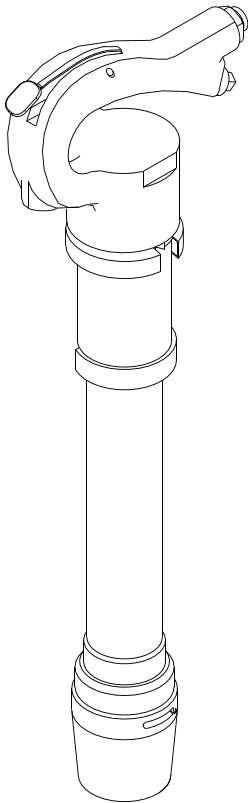


# Spare Parts List

## CP 4181 Rivet buster



[www.cp.com](http://www.cp.com)

 **Chicago  
Pneumatic**

**2005-01**  
**No. 9800 0523 01**

© Copyright  
STOCKHOLM • SWEDEN

## Contents

Pages

General information.....	4
Exploded views and tables .....	6-9

## GENERAL INFORMATION

Welcome! Protect your investment in the world's finest air tools. Use genuine CP replacement parts.

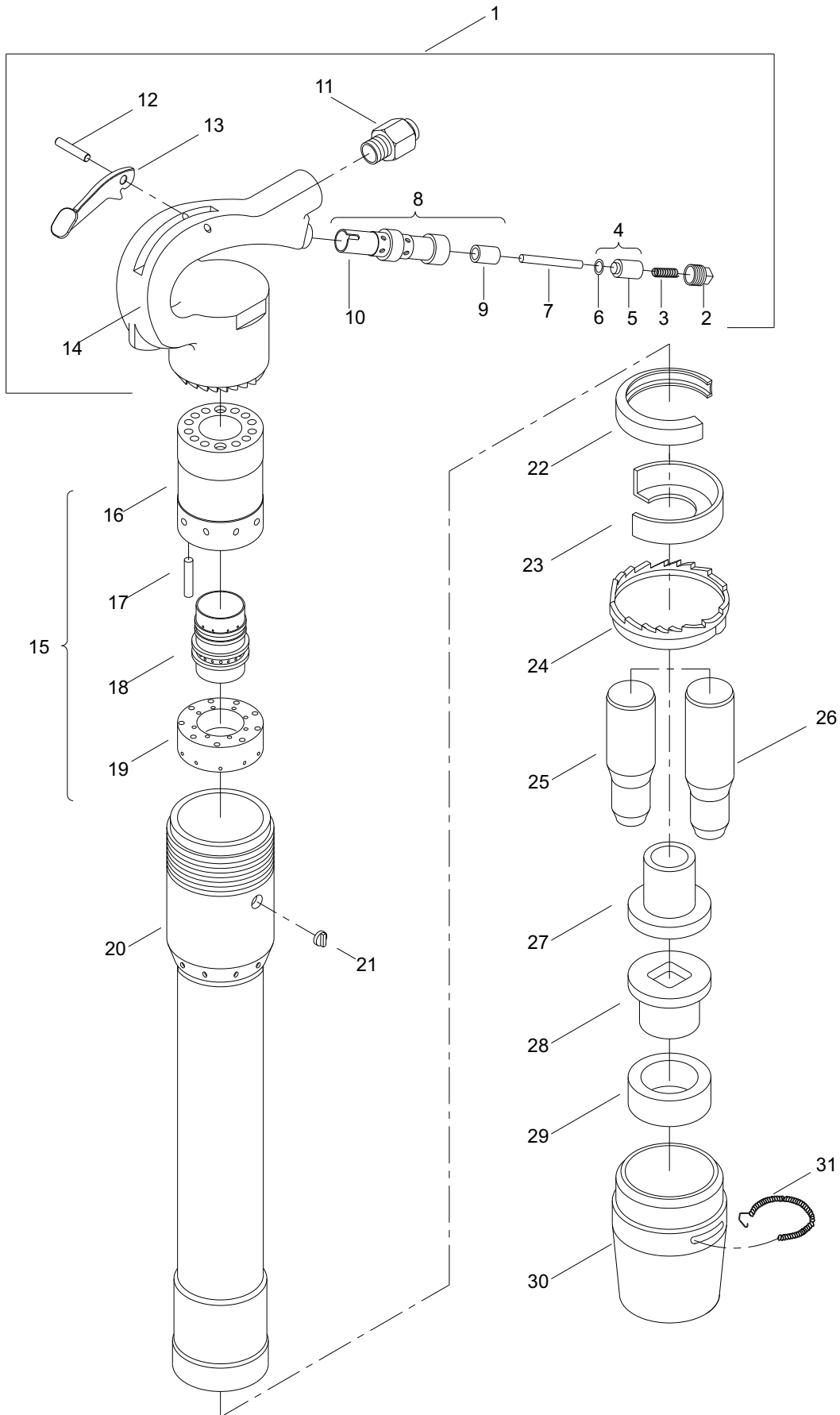
The purchase of replacement parts for your CP tools deserves the same good judgment that resulted in the buying of the tools themselves. Each genuine CP part is made from carefully selected and inspected material, subjected to sophisticated machinery and finishing processes and heat-treated to produce just the right combination of hardness, ductility and impact resistance for its intended use. All parts are manufactured concurrently with those used in production tools, and are identical to them. The use of parts other than genuine CP replacement parts can lead to substandard performance, early failure, possible damage of other parts and, in some instances, unsafe conditions.

To reduce the risk of injury, read and understand the Operating Instructions manual and the percussion tool safety instructions before operating the tool.

CP 4181 is a pneumatic tool designed for medium to heavy concrete demolition, cutting large rivets and bolts, and other cutting and ripping operations.

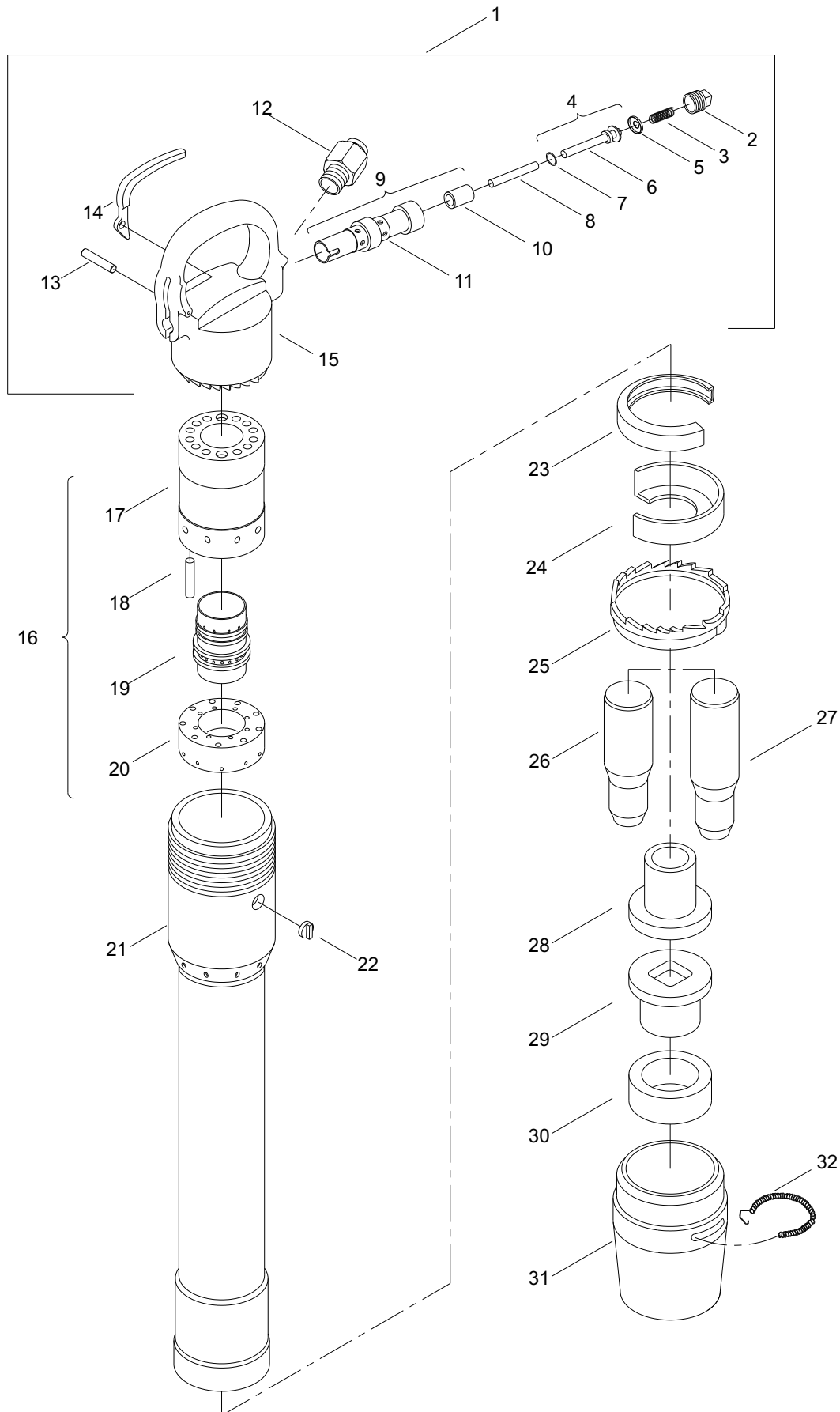


# EXPLODED VIEW OF CP 4181 PULER CP 4181 PUSER



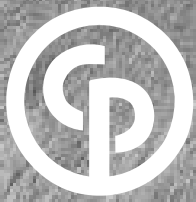
Ref. No.	Ordering No.	Qty.	Description
CP 4181 ( PULER, PUSER )			
1	P007164	1	Handle complete (Includes item No. 2, 3, 5, 6, 7, 9, 10, 11, 12, 13 & 14)
2	P001873	1	Plug - Valve tube
3	P001853	1	Spring - Valve
4	P001799	1	Valve - Throttle ( Includes item No. 5 & 6 )
5			Valve - Throttle
6	P083071	1	O-ring
7	P004834	1	Pin - Push (Valve)
8	P007325	1	Tube - Throttle (Includes item No. 9 & 10)
9	P004839	1	Bushing
10		1	Tube - Throttle
11	P001983	1	Bushing - Air inlet (3/8"NPTF)
12	P001915	1	Pin - Lever
13	P001982	1	Lever - Throttle
14		1	Handle (Includes item No. 8)
15	P007385	1	Valve complete (Includes item No. 16, 17, 18 & 19)
16	P006319	1	Case - Valve
17	P001632	1	Dowel
18	P001538	1	Valve
19	P006320	1	Lid - Valve case
20		1	Cylinder
21	P001430	1	Key - Lock collar
22	P001355	1	Clip - Spring (Lock collar)
23	P001389	1	Deflector - Exhaust
24	P001399	1	Collar - Lock
25	R157982	1	Piston (8" Stroke)
26	R157981	1	Piston (11" Stroke)
27	P156988	1	Sleeve - Upper
28	P072333	1	Sleeve - Lower
29	P072334	1	Bumper
30	P071849	1	Sleeve - Retainer
31	P073942	1	Spring - Lock

# EXPLODED VIEW OF CP 4181 DULER CP 4181 DUSER





Ref. No.	Ordering No.	Qty.	Description
CP 4181 ( DULER, DUSER )			
1	P007399	1	Handle complete (Includes item No. 2, 3, 5, 6, 7, 8, 10, 11, 12, 13, 14 & 15)
2	P001884	1	Plug - Valve tube
3	P001864	1	Spring - Valve
4	P005153	1	Valve - Throttle ( Includes item No.5,6 & 7 )
5	P092091	1	Cap - O-ring
6		1	Valve - Throttle
7	CA088867	1	Throttle valve O-ring
8	P006138	1	Pin - Push (Valve)
9	P007846	1	Tube -Throttle (Includes item No. 10 & 11)
10		1	Bushing
11		1	Tube Throttle
12	P001983	1	Bushing air inlet (3/8"NPTF) (Includes air screen)
13	P005171	1	Pin - Lever
14	P006137	1	Lever - Throttle
15		1	Handle (Includes item No. 4 & 9)
16	P007385	1	Valve complete (Includes item No. 17, 18, 19 & 20)
17	P006319	1	Case - Valve
18	P001632	1	Dowel
19	P001538	1	Valve
20	P006320	1	Lid - Valve case
21		1	Cylinder
22	P001430	1	Key - Lock collar
23	P001355	1	Clip - Spring (Lock collar)
24	P001389	1	Deflector - Exhaust
25	P001399	1	Collar - Lock
26	R157982	1	Piston (8" Stroke)
27	R157981	1	Piston (11" Stroke)
28	P156988	1	Sleeve - Upper
29	P072333	1	Sleeve - Lower
30	P072334	1	Bumper
31	P071849	1	Sleeve - Retainer
32	P073942	1	Spring - Lock



**2005-01**  
**No. 9800 0523 01**  
© Copyright  
Stockholm, Sweden

